

precision
performance
functionality

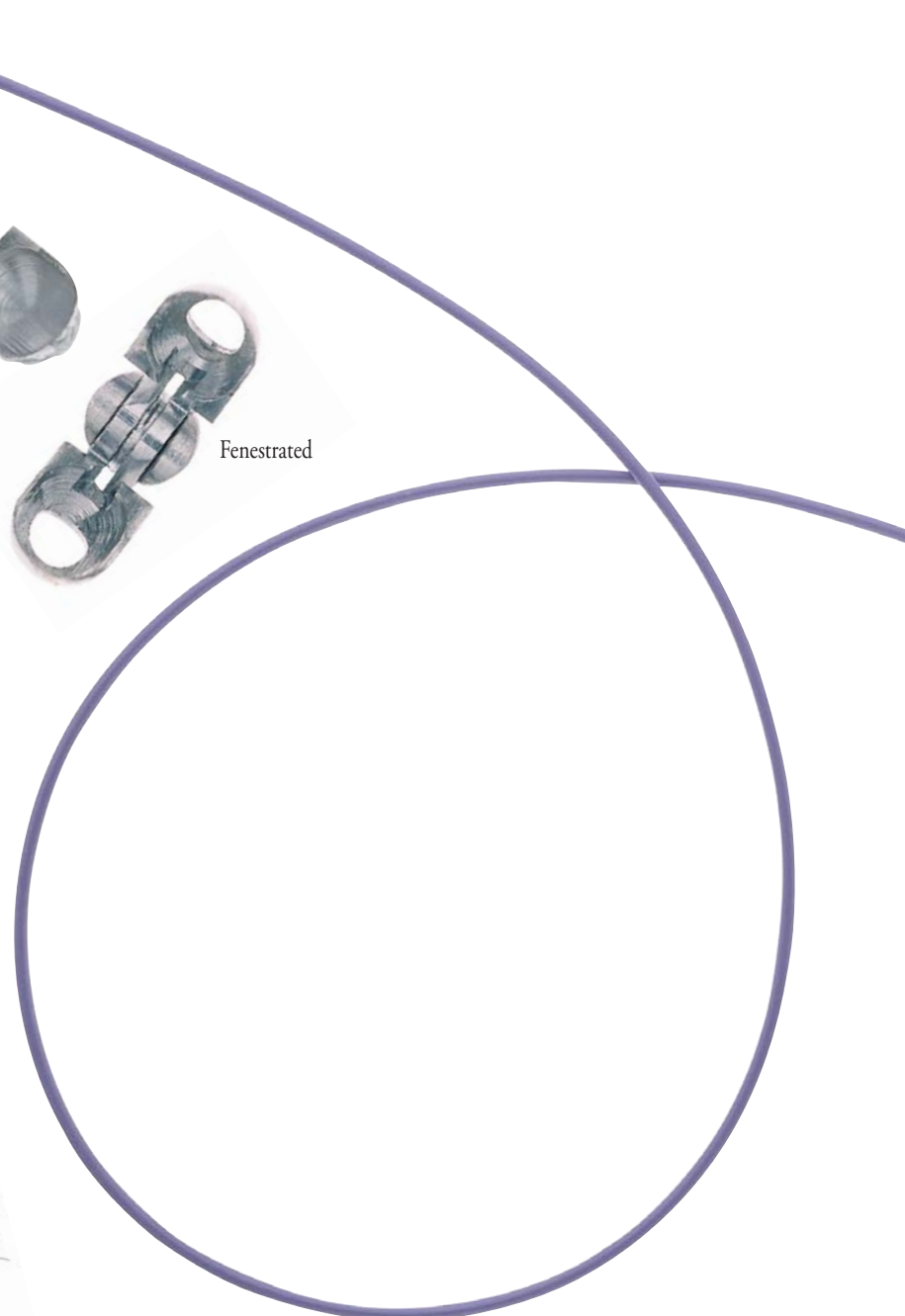
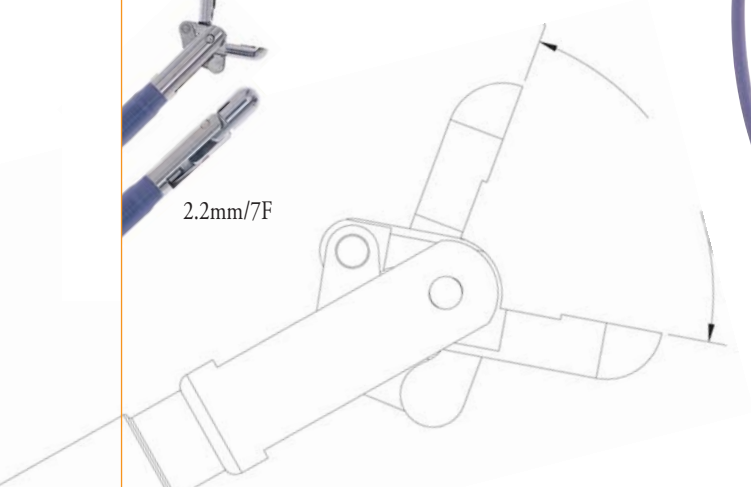
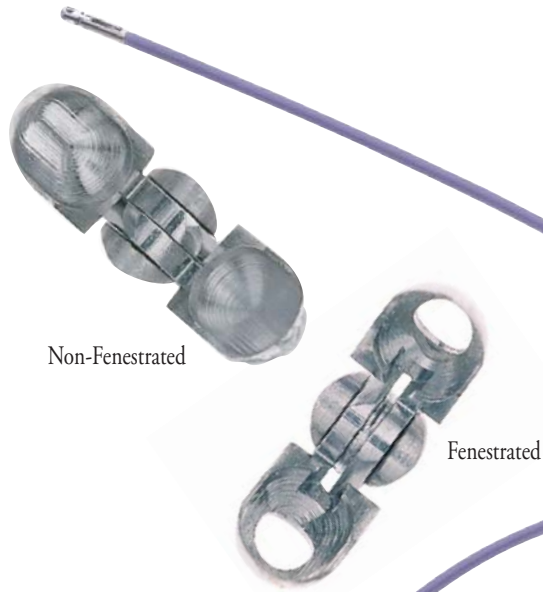

SparrowHawk[®]
Endomyocardial Biopsy Forceps

atc technologies[™]



precision perform

Consistent and superior forceps standard with SparrowHawk[®] d



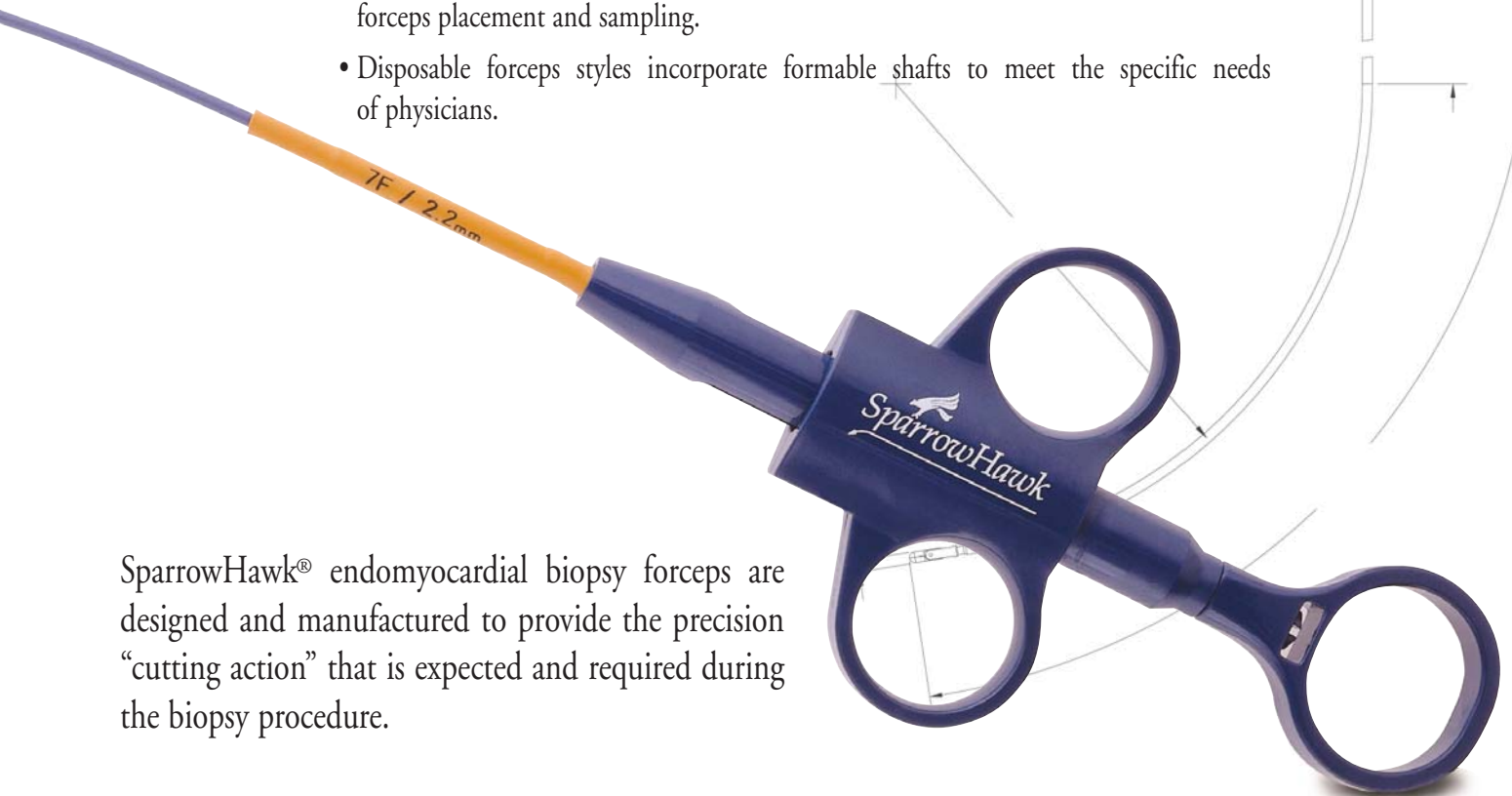
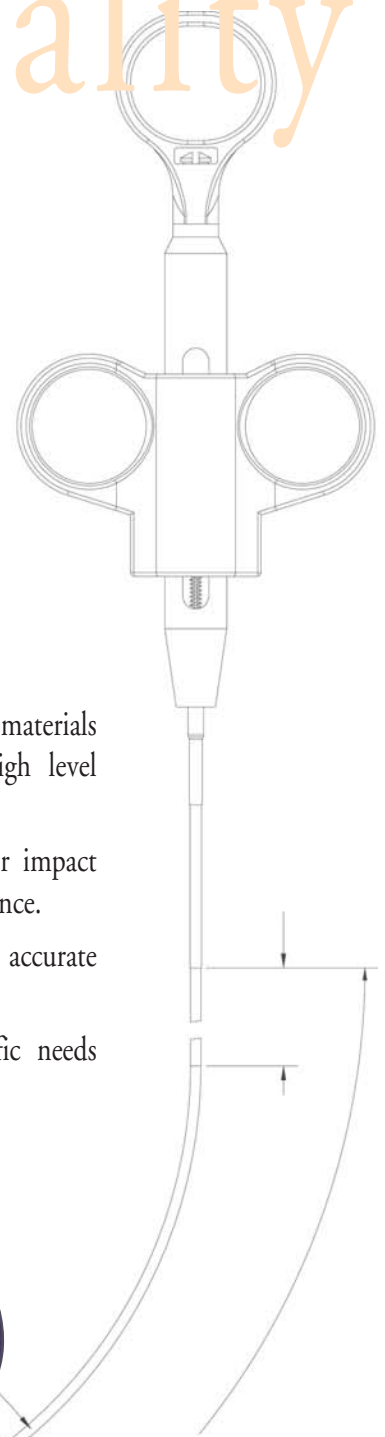
precision functionality

functionality is disposable forceps.



Our endomyocardial biopsy forceps provide:

- Biopsy cup cutting edges machine crafted using proprietary processes and materials that provide a precision scissor-like cutting action which results in high level specimen aggregation.
- Disposable forceps handles are manufactured from materials that allow for impact strength, dimensional stability, and excellent environmental stress crack resistance.
- Exact pretension spring settings resulting in less distal recoil contributing to accurate forceps placement and sampling.
- Disposable forceps styles incorporate formable shafts to meet the specific needs of physicians.



SparrowHawk® endomyocardial biopsy forceps are designed and manufactured to provide the precision “cutting action” that is expected and required during the biopsy procedure.



Endomyocardial Biopsy Forceps

| 1.5 mm 5F | | | | | | |
|----------------|-------------------------------|-----------------|--------|-------------------------|------------|-------------------|
| Reorder Number | Jaw Volume (mm ³) | Jaw Style | Length | Recommended Sheath Size | FEP Coated | Tip Configuration |
| 5050 | 2.02 | Non-Fenestrated | 50 | 5F | No | Straight |
| 5055 | 2.02 | Non-Fenestrated | 105 | 5F | No | Straight |

| 1.8 mm 6F | | | | | | |
|----------------|-------------------------------|-----------------|--------|-------------------------|------------|-------------------|
| Reorder Number | Jaw Volume (mm ³) | Jaw Style | Length | Recommended Sheath Size | FEP Coated | Tip Configuration |
| 5040 | 3.10 | Non-Fenestrated | 50 | 6F | Yes | Max-Curve |
| 5041 | 3.10 | Fenestrated | 50 | 6F | Yes | Max-Curve |
| 5042 | 3.10 | Non-Fenestrated | 50 | 6F | Yes | Pre-Curve |
| 5044 | 3.10 | Non-Fenestrated | 50 | 6F | No | Straight |
| 5046 | 3.10 | Non-Fenestrated | 105 | 6F | No | Straight |
| 5047 | 3.10 | Fenestrated | 105 | 6F | No | Soft-Curve |
| 5048 | 3.10 | Non-Fenestrated | 105 | 6F | Yes | Straight |
| 5049 | 3.10 | Fenestrated | 105 | 6F | Yes | Straight |
| 5057 | 3.10 | Fenestrated | 50 | 6F | No | Soft-Curve |
| 5058 | 3.10 | Fenestrated | 105 | 6F | No | Straight |

| 2.2 mm 7F | | | | | | |
|----------------|-------------------------------|-----------------|--------|-------------------------|------------|-------------------|
| Reorder Number | Jaw Volume (mm ³) | Jaw Style | Length | Recommended Sheath Size | FEP Coated | Tip Configuration |
| 5030 | 5.94 | Non-Fenestrated | 50 | 7F | Yes | Max-Curve |
| 5031 | 5.94 | Fenestrated | 50 | 7F | Yes | Max-Curve |
| 5033 | 5.94 | Non-Fenestrated | 50 | 7F | Yes | Pre-Curve |
| 5034 | 5.94 | Fenestrated | 50 | 7F | Yes | Pre-Curve |
| 5035 | 5.94 | Non-Fenestrated | 50 | 7F | No | Straight |
| 5036 | 5.94 | Non-Fenestrated | 105 | 7F | Yes | Straight |
| 5037 | 5.94 | Non-Fenestrated | 105 | 7F | No | Straight |
| 5038 | 5.94 | Fenestrated | 105 | 7F | No | Straight |
| 5039 | 5.94 | Fenestrated | 105 | 7F | Yes | Straight |



ATC Technologies, Inc.

80 Cummings Park • Woburn, MA 01801 • USA

Telephone 781.939.0725 • Facsimile 781.939.0726

Internet www.ATCTechnologiesInc.com